

OVERVIEW

Simply Conserve's Mini Wall Pack is a great choice for adding or upgrading outdoor security lighting. It's ideal for garages, loading bays, multifamily complexes, hospitality, and office buildings. The integrated photocell allows for dusk-to-dawn operation out of the box. Durable plastic housing and ETL wet-rated listing allows the fixture to withstand the exterior elements.

CATALOG #		TYPE
PROJECT		
COMMENTS		DATE
PREPARED BY		

KEY FEATURES

- Suitable for retrofit or new construction
- 70-rated lifetime of 35,000 hours
- CRI ≥80
- Polycarbonate lens construction
- 120V operation



WET-RATED



INTEGRATED PHOTOCELL



POLYCARBONATE LENS



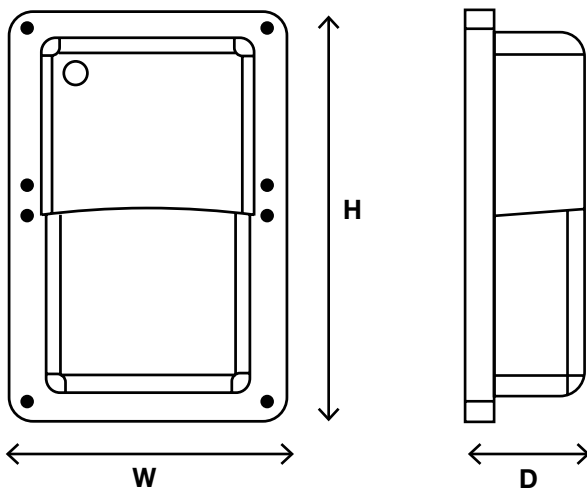
SOURCE	WATTAGE	FIXTURE TYPE	CCT	OPTIONS
L = LED	15W	MWP = Mini Wall Pack	40 = 4000K	PC = Photocell

SPECIFICATIONS

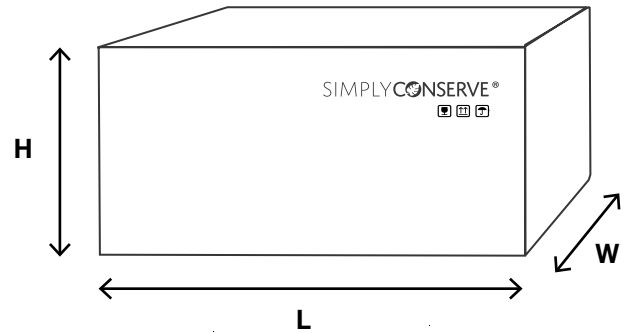
CATALOG #	WATTS	CCT	LUMENS	EFFICACY	CRI	VOLUME
L15-MWP-40-120-PC	15W	4000K	1150	70 LPW	≥80	120V

DIMENSIONS

PRODUCT



CASE



CATALOG #	L	W	D
L15-MWP-40-120-PC	11.4"	7.7"	3.6"

CATALOG #	L	W	H	CASE QTY.	GROSS WT.
L15-MWP-40-120-PC	19"	16"	12.6"	10	21.6 lbs.

5-Year Limited Warranty



AM Conservation warrants that this product is free from defects in material and workmanship for a period of 5 years from the date of the first purchase or the original distribution of the product under an energy conservation program, subject to the proper installation and/or use of the product. For full standard limited product warranty, please visit amconservation.com/warranties.

For warranty claims, please contact:

customer@amconservation.com

To learn more, please visit:

www.amconservation.com